



# BAY-C : LED BAY LIGHT ROUND

## DESCRIPTION

A cost-effective, low-profile, solid state solution for highbay applications, providing one-for-one replacement of high-wattage HID fixtures.

## FEATURES

- Up to 151 lpw ultra-high efficiency delivers superior performance over legacy HID highbays
- Instant-on with no warmup
- 1-10V dimming

## LISTINGS

- UL Listed for wet locations
- IP65 Rated for dust and water ingress protection
- DesignLights Consortium® Premium Qualified - meets the requirements for the highest DLC qualification for efficacy and lumen maintenance

## PERFORMANCE

- LED Rated lifetime L80: 72,000 hours
- 5000K CCT
- CRI: 80+

## THERMAL

- -40°F to +122°F (-40°C to +50°C) operating temperature

## ELECTRICAL

- Input voltage: 100-277V
- Dimmable power supply (1-10V)
- Power Factor: >.9
- THD: <20%

## CONSTRUCTION

- Thermally optimized diecast aluminum heatsink
- Five-step super durable TGIC powder coating for tough environmental conditions
- Tempered glass lens standard on all fixtures
- 6' power cord standard for more installation flexibility

## WARRANTY

- 5 year limited warranty; see eiko.com for warranty details

project name	type
catalog number	
comments	voltage
approved by	date



## APPLICATIONS

- Warehouses
- Manufacturing Plants
- Distribution Centers
- Grocery Stores
- Gymnasiums
- Indoor Recreational Facilities
- Cold Storage
- Big Box Retail
- Service Repair Centers



## ORDERING INFORMATION

EXAMPLE: BAYC/100W/850/UD-[BLANK, OPTIONS]

Model	Package	CRI/CCT	Voltage	Dimming
<b>BAYC</b> : Bay C-Series Round High Bay	<b>150W</b> - 150W <b>200W</b> - 200W	<b>850</b> - 80 CRI; 5000K	<b>U</b> - 100-277V	<b>D</b> - 0-10V Dimming

## PERFORMANCE SUMMARY

Order Code	Item #	Watts	Beam Angle	Nominal Lumens	LPW	Replaces	CCT	CRI	Dimming	Volts	DLC Premium
10935	BAYC/150W/850/UD	150W	120°	22,650	151	250W-320W	5000K	80+	0-10V	100-277V	✓
10936	BAYC/200W/850/UD	200W	120°	30,000	150	320W-400W	5000K				

## AVAILABLE ACCESSORIES

Order Code	Item #	Description
09585	BAY-REFLECTOR BT-AL-60D	60° Beam Aluminum Reflector
09586	BAY-REFLECTOR BT-AL-90D	90° Beam Aluminum Reflector
09587	BAY-REFLECTOR BT-PC-70D	70° Beam Polycarbonate Reflector
10378	BAY-PA-1/2NPS-W	BAY Pipe Adaptor 1/2" NPS White
10379	BAY-PA-3/4NPS-W	BAY Pipe Adaptor 3/4" NPS White
10387	BAY-REFLECTOR-AC16	BAY Light Reflector Clear Acrylic
09914	BAY-REFLECTOR-CV16	Cloudveil Reflector, 16" for BAY
09915	BAY-REFLECTOR-CV22	Cloudveil Reflector, 22" for BAY
09912	BAY-WG-AL	Wire Guard, Aluminum Reflector
09911	BAY-WG-PC	Wire Guard, PC Reflector
10386	BAY-CWB-16	16" Clear Wide Bay Lens Acrylic
10385	BAY-CDL-22	22" Clear Drop Lens Acrylic
10383	BAY-CDL-16	16" Clear Drop Lens Acrylic
10380	BAY-BAND-16	Stainless Steel Clamp Band, 16" Reflectors
10381	BAY-BAND-22	Stainless Steel Clamp Band, 22" Reflectors
10382	BAY-CCL-16	16" Clear Conic Lens Acrylic
10384	BAY-CCL-22	22" Clear Conic Lens Acrylic



## REFLECTOR CROSS-REFERENCE

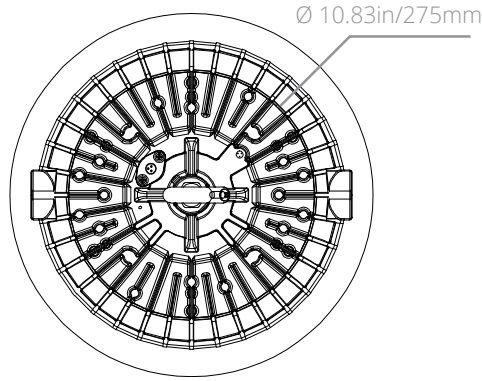
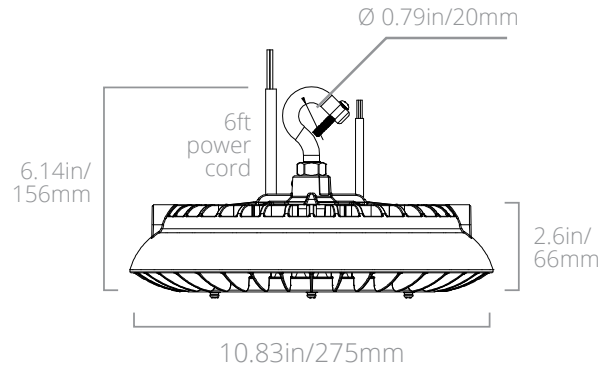
	BT-AL-60D	BT-AL-90D	BT-PC-70D	AC16	CV16	CV22
BAY-BAND-16			X	X	X	
BAY-BAND-22						X
BAY-CCL-16			X*	X*	X*	
BAY-CCL-22						X**
BAY-CDL-16			X*	X*	X*	
BAY-CDL-22						X**
BAY-CWB-16			X*	X*	X*	
BAY-WG-AL	X	X				
BAY-WG-PC			X	X	X	

\* Must also purchase BAY-BAND-16 \*\* Must also purchase BAY-BAND-22

## DRIVER LIFETIME/LUMEN MAINTENANCE

Model	Ambient	Driver	Lumen Maintenance		
		Life (Hours)	L70 (Hours)	L80 (Hours)	L90 (Hours)
100W	50°	24,000	>72,000	>60,000	>28,000
	40°	47,000	>72,000	>68,000	>32,000
	25°	130,000	>72,000	>72,000	>37,000
150W	50°	39,000	>72,000	>60,000	>28,000
	40°	78,000	>72,000	>68,000	>32,000
	25°	218,000	>72,000	>72,000	>37,000
200W	50°	23,000	>72,000	>60,000	>28,000
	40°	45,000	>72,000	>68,000	>32,000
	25°	128,000	>72,000	>72,000	>37,000

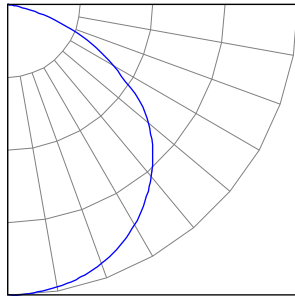
# DIMENSIONS



# PHOTOMETRICS

BAYC/150W/850/UD

ZONAL LUMEN SUMMARY		
Zone	Lumens	%Fixture
0-30	6520.32	28.2%
0-40	10781.24	46.7%
0-60	19192.02	83.1%
0-80	22809.87	98.8%
0-90	22910.00	99.2%
0-180	23094.26	100%



BAYC/200W/850/UD

ZONAL LUMEN SUMMARY		
Zone	Lumens	%Fixture
0-30	8536.81	28.2%
0-40	14112.21	46.6%
0-60	25128.11	82.9%
0-80	29921.95	98.7%
0-90	30059.31	99.2%
0-180	30301.63	100%

